

IT'S 2 CUTE

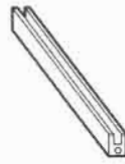
Assembly Instructions
Adult Assembly Required

A colorful two-story dollhouse to brighten your play

INCLUDES:
12 pieces & 11 screws



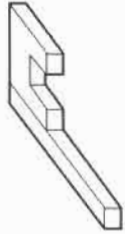
x 11
screws



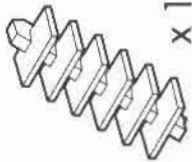
x 3
channel moulding



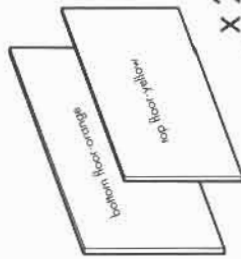
x 1
handle bar



x 1
top floor step

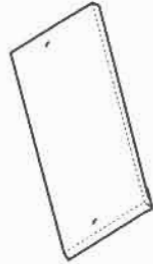


x 1
stairs



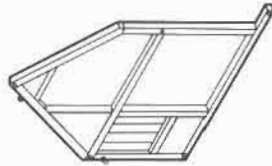
x 2
(1 each color)

floorboards

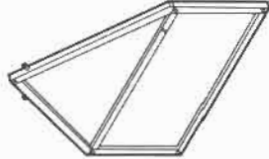


x 2

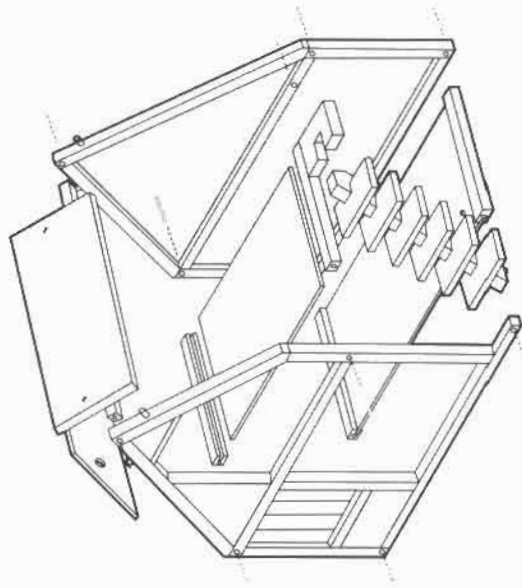
roof boards



open frame



closed frame



assembly illustration

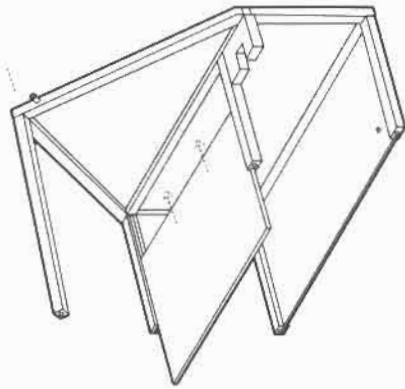
STEP ONE:

Screw in 3 channel mouldings and 1 top floor step to the closed frame. (5 screws needed)



STEP TWO:

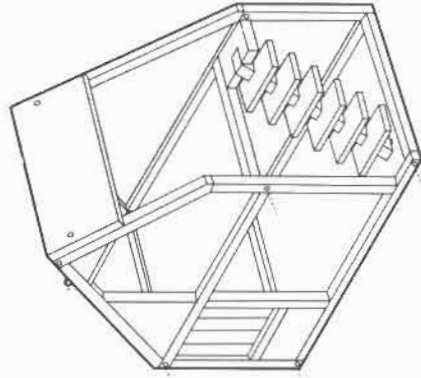
Slide in top & bottom floors. Screw in handle bar. (1 screw needed)



STEP THREE:

Screw in open frame & insert stairs. (5 screws needed)

Place roof boards on roof pegs.



INSTRUCTIONS:

WARNING: Loose screws are small parts. KEEP SCREWS AWAY FROM YOUNG CHILDREN